

Standard Keypad / Deadbolt

Aspire with a deadbolt locking mechanism operates in shared or assigned use functionality to secure storage units in either open or private work environments.

- Dual functionality – shared or assigned use
- Manage with electronic keys or mobile app
- Standard, vertical, or horizontal body style
- All metal housing
- IP55 rated
- Brushed nickel or black finish
- Slim 5/16" (8 mm) profile
- Non-handed, with or without pull handle
- ADA compliant
- Designed for new or retrofit installations
- Adapts to multiple door thickness
- Visual and audible indicators
- Optional Mobile App Kit for advanced features
 - Mobile app management
 - Audit trail
 - Advanced auto unlock feature
 - Advanced system tools



Standard Keypad

Deadbolt Rear Unit

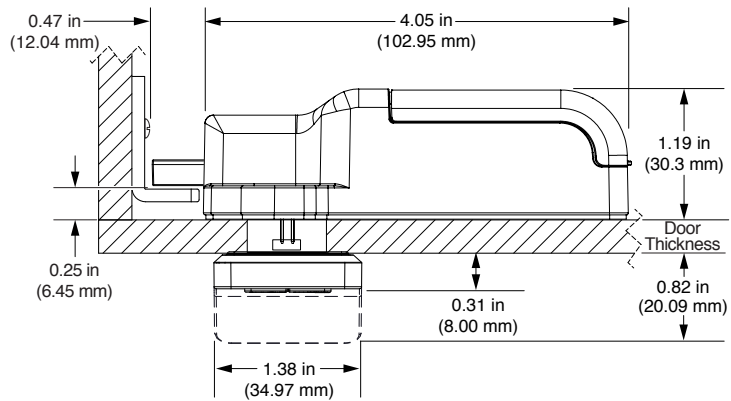
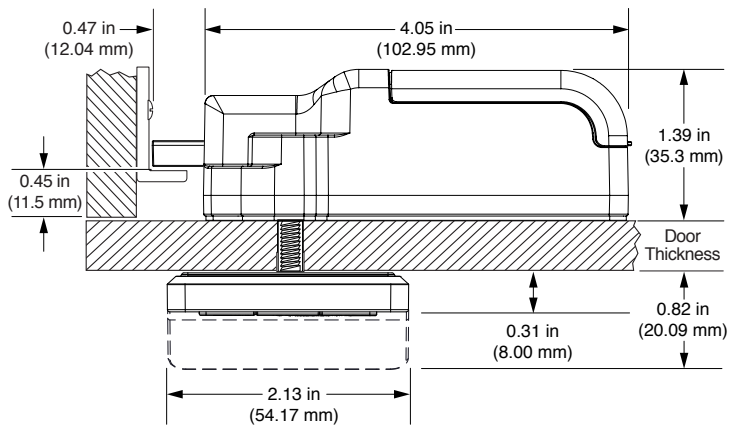


The optional Mobile App Kit provides easier programming, advanced auditing and more.

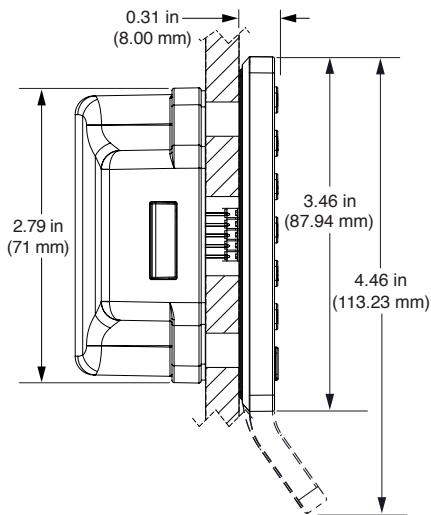
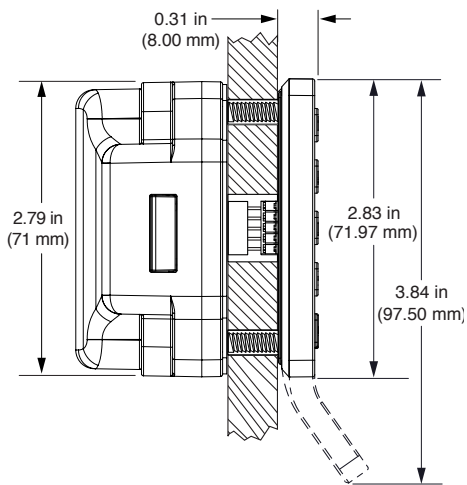


- ½" (12 mm) motorized deadbolt
- Snap-lock cable connector (patented) or pin connector
- Up to 5 years battery life with average use
- Powered by 4 premium AA batteries
- 2 year warranty

Top View



Side View



Front View

